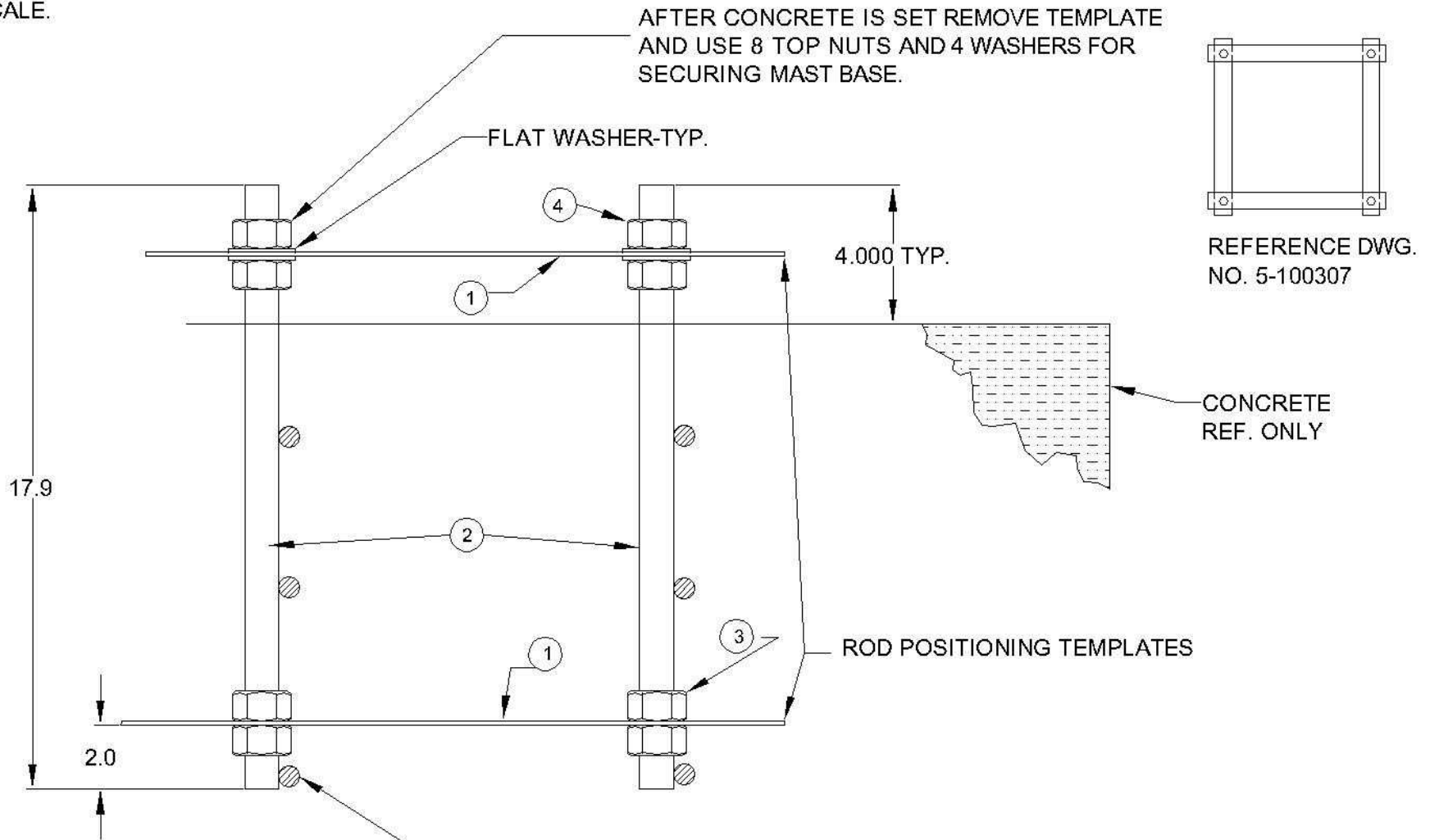


NOTE:

DRAWING FOR REFERENCE ONLY,
NOT TO SCALE.



REFERENCE DWG.
NO. 5-100307

CONCRETE
REF. ONLY

ROD POSITIONING TEMPLATES

OPTIONAL:
TIE RE-BARS TO THREADED RODS
WITH METAL WIRE (CUSTOMER PROVIDES)

PARTS LIST

ITEM	QTY	DWG. NO.	DESCRIPTION
1	8	5-100307	ROD TEMPLATE
2	4	GALVANIZED	1"-8 UNC THD. ROD
3	16	GALVANIZED	1"-8 UNC HEX NUT
4	4	GALVANIZED	1" FLAT WASHER

5m ANCHOR KIT